

### Our Beam to Gutter detail

2" x 3" x .050 member against the gutter face. (6) screws fastening angle to beam. (2) 1/2" lags fastening beam to fascia.

### Standard Beam to Gutter detail

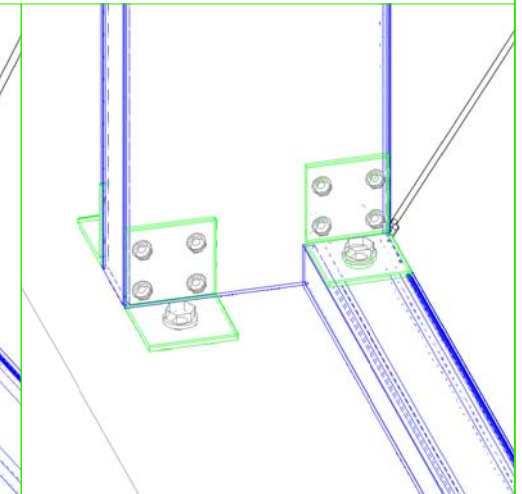
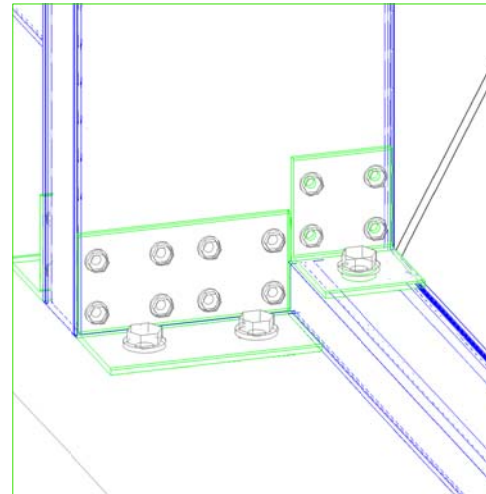
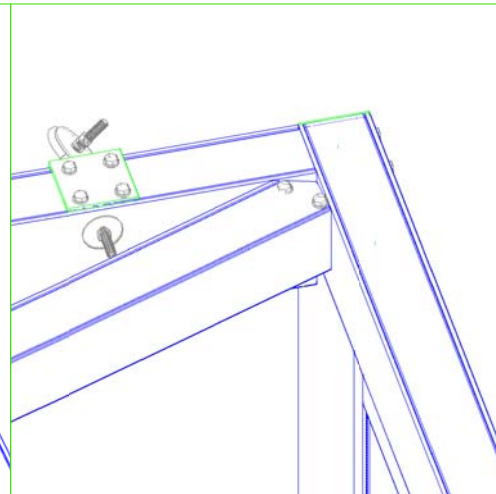
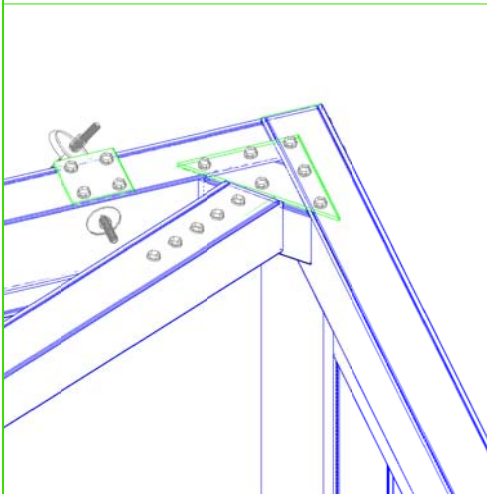
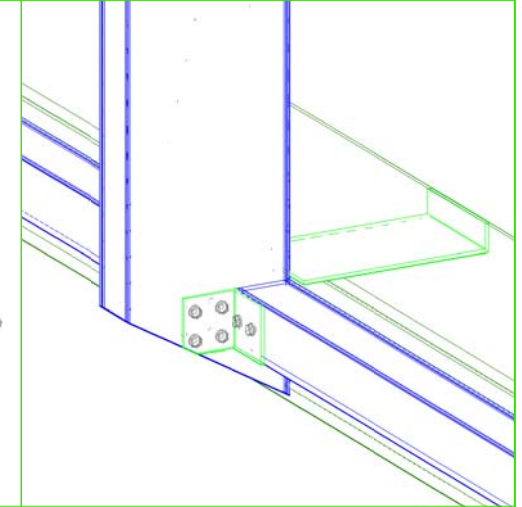
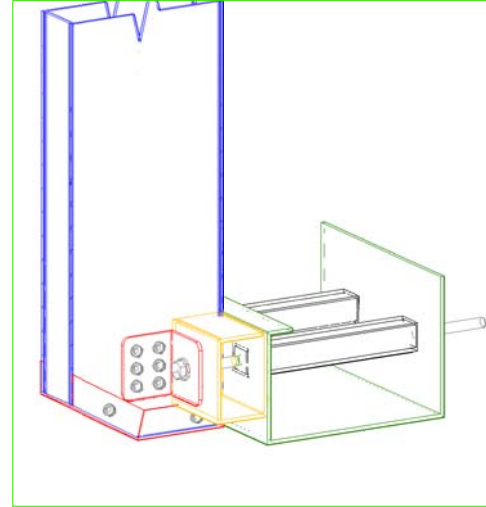
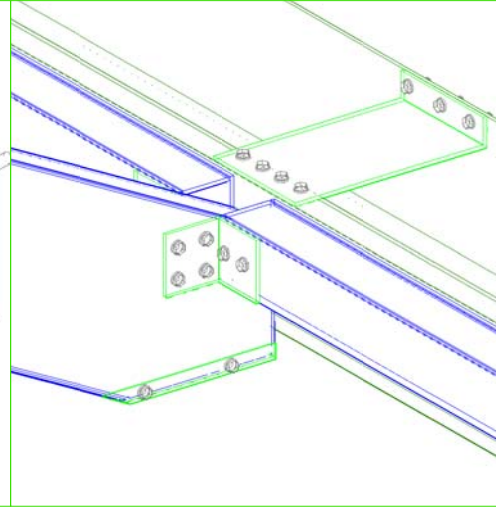
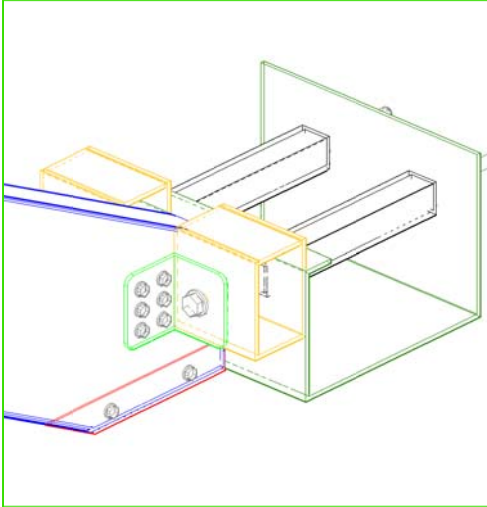
1" x 2" or 2" x 2" against gutter face. (4) screws fastening angle to beam. Nothing attaching beam directly to fascia.

### Our Transom attachment

2" x 3" x .050 member against the gutter face. (6) screws fastening angle to beam. (2) 1/2" lags fastening beam to fascia.

### Standard Transom attachment

1" x 2" or 2" x 2" against gutter face. (4) screws fastening angle to beam. Nothing attaching beam directly to fascia.



### Our Diagonal attachment

2" x 2" block to reinforce corner. 1/8" plate fastening corner together with the diagonal. Strap on inside of diagonal.

### Standard Diagonal attachment

(2) #10 x 2" screws fastening diagonal to corner.

### Our deck attachment

Full angles with plenty of fasteners on every post.

### Standard Deck attachment

(2) 2" angles with less fasteners. Not done on every post.



Our connections versus industry standards.